



CUSTOMIZED MOTION SYSTEMS

MPS overview

mps

- Located in Switzerland
- 442 employees
- US\$ 75 Mio

mps WATCH

- 147 employees
- Bonfol
- Watch bearings and gear wheels



mps MICROSYSTEMS

- 207 employees
- Bienne | Boston
- Microsystems, ball screws, linear bearings



mps PRECIMED

- 44 employees
- Bienne
- Orthopedic instruments



mps DECOLLETAGE

- 44 employees
- Court
- Precision swiss turning parts



Markets & Services

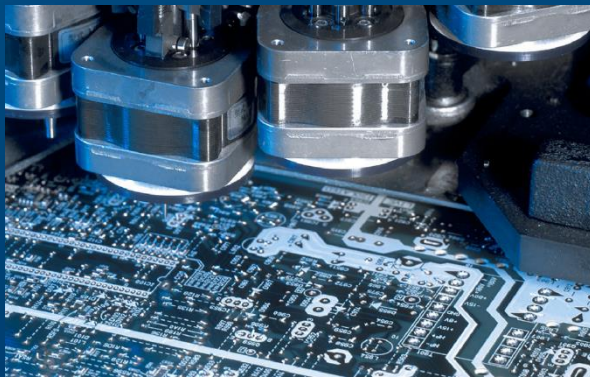
Optics & Photonics



Medical



Aerospace & Defense



Automation

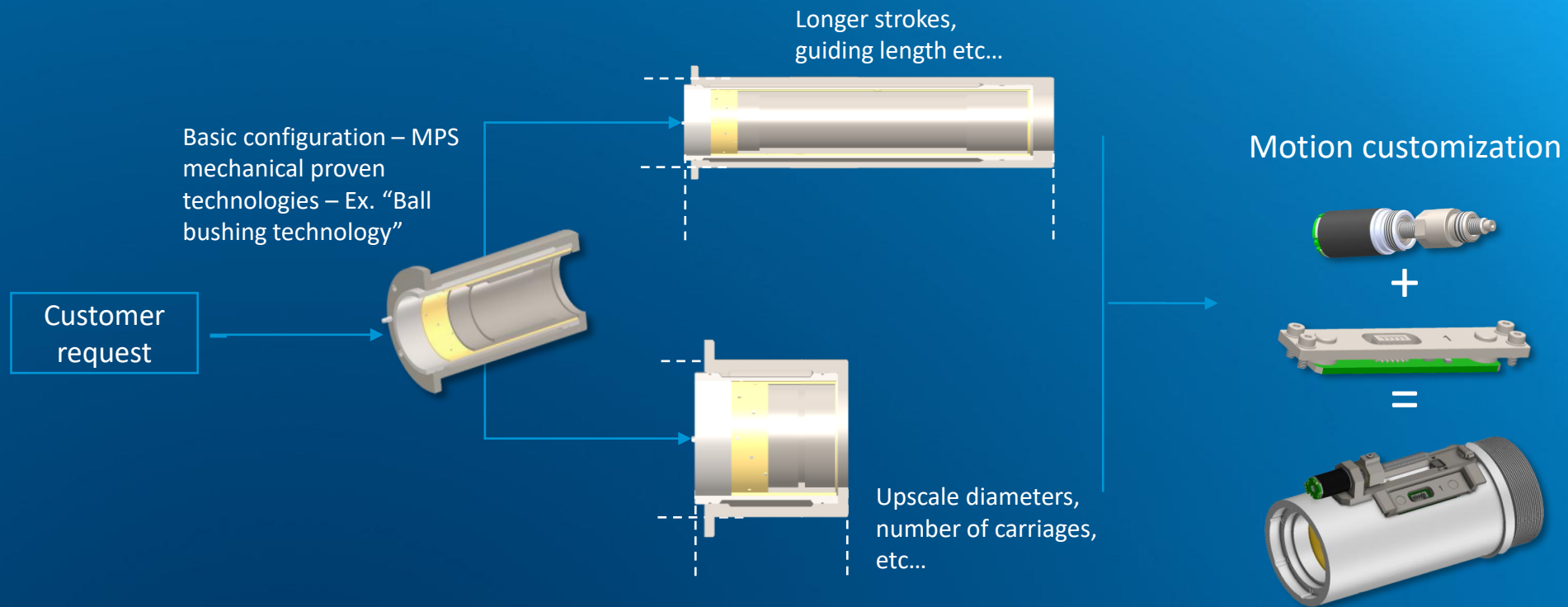


Science



Linear systems

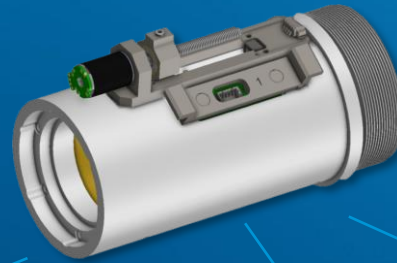
MPS - Scalable compact and accurate opto-mechanical solutions



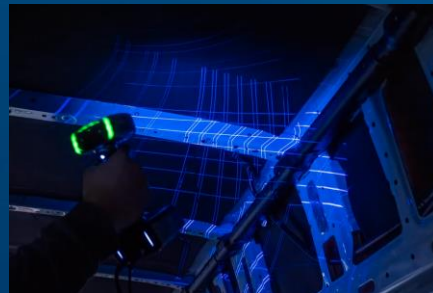
Bespoke mechanical designs based on customer specifications
Proven technology → Reduced time to market and costs

MPS - Cross functional applications

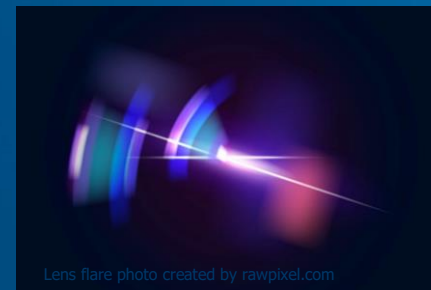
MPS optical
actuated module



Ophthalmology



3D scanners



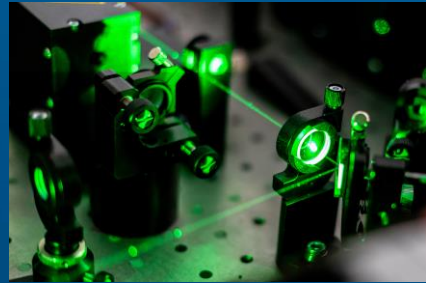
Spectroscopy



Others

MPS - Collaborative product development

Optical concept



Long lifespan
motorized
modules

Mechanical
conception



Hand held
integrated solution



High-tech Machine

Miniaturized
actuators

Eugen Bärwald

Area sales manager Europe
eugen.baerwald@mpsag.com
+49 151 217 812 05

CONTACT



MORE INFO

W3+ | Wetzlar
Booth C3



www.mpsag.com

Thank you for your attention